



**LIANG CHEW
HARDWARE**
联洲五金

PVC SCH80 PRESSURE PIPES AND FITTINGS

ERA®

SINCE 1993

PVC SCH80 Pressure
Pipes & Fittings

**PLASTIC
PIPING SYSTEM**

CHINA ERA GROUP
ERA PIPING(ZHEJIANG) CO., LTD.

VERSION
NUMBER
202503



WEBSITE LINK



NSF International

789 N. Dixboro Road, Ann Arbor, MI 48105 USA

RECOGNIZES

ERA Co., Ltd. DBA ERA PIPING (ZHEJIANG) Co., Ltd.

Facility: Taizhou, China

AS COMPLYING WITH NSF/ANSI 14, NSF/ANSI/CAN 61, 372 AND ALL
APPLICABLE REQUIREMENTS.

PRODUCTS APPEARING IN THE NSF OFFICIAL LISTING ARE
AUTHORIZED TO BEAR THE NSF MARK.



This certificate is the property of NSF International and must be returned upon request. This certificate remains valid as long as this client has products in NSF's Official Listings for the referenced standards. For the most current and complete Listing information, please access NSF's website (www.nsf.org).

December 29, 2022
Certificate# C0337797 - 05

A handwritten signature in black ink, appearing to read "David Purkiss", written over a horizontal line.

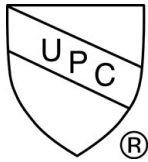
David Purkiss
Vice President, Global Water Division

IAPMO RESEARCH AND TESTING, INC.

5001 E. Philadelphia Street, Ontario, CA 91761 • Phone (909) 472-4100 • Fax (909) 472-4244 • www.iapmort.org



CERTIFICATE OF LISTING



IAPMO Research and Testing, Inc. is a product certification body in which its product certification system includes inspection and testing of samples taken from the supplier's stock or from the market or a combination of both to verify compliance to the requirements of applicable codes and standards. This activity is coupled with periodic surveillance of the supplier's factory and/or warehouses as well as the assessment of the supplier's Quality Assurance System. This listing is subject to the conditions set forth in the characteristics below and is not to be construed as any recommendation, assurance or guarantee by IAPMO Research and Testing, Inc. of the product acceptance by Authorities Having Jurisdiction.

Issued To:

ERA PIPING (ZHEJIANG) CO., LTD.

NO. 1118 HUANGJIAO ROAD HUANGYAN ECONOMIC DEVELOPMENT ZONE TAIZHOU, ZJ 318020, CHINA

Product:

Poly Vinyl Chloride (PVC) Plastic Pipe Fittings, Schedule 80

Products are in compliance with the following code(s):

Uniform Plumbing Code (UPC®)

Products are certified to the following standard(s)

ASTM D2467-2024

NSF/ANSI 14-2023

File Number: 10908

Revised Date: April 23, 2025

Effective Date: December 2024

Void After: December 2029*


Chairman, Product Certification Committee



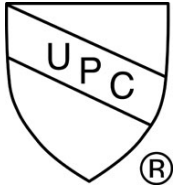

Chief Technical Service Officer

*This certificate is not evidence of current listing. To verify listing status, visit the IAPMO R&T Product Listing Directory at pld.iapmort.org

This listing period is based upon the last date of the month indicated on the Effective Date and Void After Date shown above. Any change in material, manufacturing process, marking or design without having first obtained the approval of the Product Certification Committee, or any evidence of non-compliance with applicable codes and standards or of inferior workmanship, may be deemed sufficient cause for revocation of this listing. Production of or reference to this form for advertising purposes may be made only by specific written permission of IAPMO Research and Testing, Inc. Any alteration of this certificate could be grounds for revocation of the listing. This document shall be reproduced in its entirety.

IAPMO RESEARCH AND TESTING, INC.

CERTIFICATE OF LISTING



Issued To: ERA PIPING (ZHEJIANG) CO., LTD.

Effective Date: December 2024

File Number: 10908

Revised Date: April 23, 2025

Product: Poly Vinyl Chloride (PVC) Plastic Pipe Fittings,
Schedule 80

Void After: December 2029

This certificate is not evidence of current listing. To verify listing status, visit the IAPMO R&T Product Listing Directory at pld.iapmo.org

Identification:

Fittings shall be marked permanently and legibly with manufacturer's name or trademark, material designation (PVC I for PVC 12454-B, PVC 12 for PVC 12454-C, PVC 13 for PVC 13354-C and 11443-B, and PVC II for PVC 14333-D), size, "D2467," fittings intended for contact with potable water shall bear the seal or mark of the laboratory making evaluation for potable water contact, and the UPC® certification mark

Note: Where the size of the fitting does not allow complete marking, omit identification marking in the following sequence: size, material designation, manufacturer's name or trademark. Where recessed marking is used, care shall be taken to see that in no case marking causes cracks or reduces the wall thickness below the minimum specified.

Characteristics:

Poly vinyl chloride (PVC) schedule 80 pipe fittings for use only with the distribution of pressurized liquids, which are chemically compatible with the piping materials. To be installed in accordance with the manufacturer's instruction and the latest editions of the Uniform Plumbing Code.

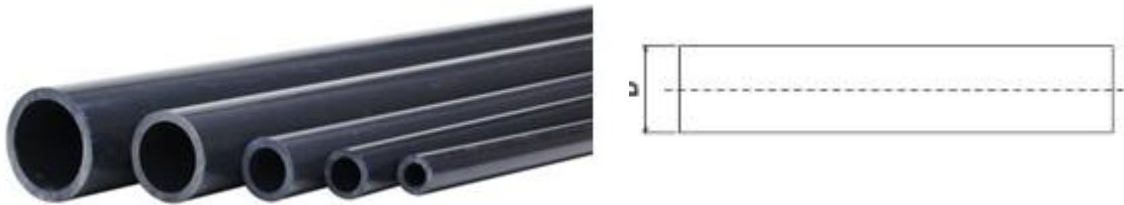
Note: Due to inherent hazards associated with testing components and systems with compressed air or other compressed gases some manufacturers do not allow pneumatic testing of their products. Consult with specific product/component manufacturers for their specific testing procedures prior to pneumatic testing.

Products listed on this certificate have been tested by an IAPMO R&T recognized laboratory. This recognition has been granted based upon the laboratory's compliance to the applicable requirements of ISO/IEC 17025.

SCH80 PIPES & FITTINGS

UPVC SCH80 ASTM D1785 PIPE

Colour - Dark Grey



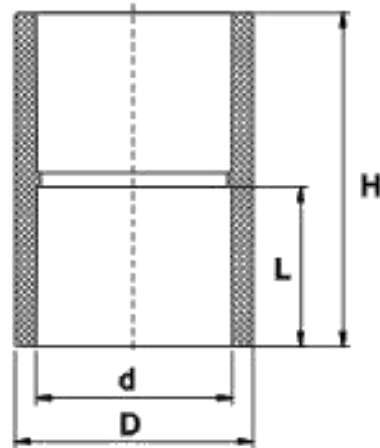
DIMENSIONS

SKU	Outside Diameter (mm)	Wall Thickness Minimum + Tolerance (mm)
PIPSCH80015	21.34±0.10	3.73+0.51
PIPSCH80020	26.67±0.10	3.91+0.51
PIPSCH80025	33.40±0.13	4.55+0.53
PIPSCH80035	42.16±0.13	4.85+0.58
PIPSCH80042	48.26±0.15	5.08+0.61
PIPSCH80050	60.32±0.15	5.54+0.66
PIPSCH80065	73.02±0.18	7.01+0.84
PIPSCH80080	88.90±0.20	7.62+0.91
PIPSCH80100	114.30±0.23	8.56+1.02
PIPSCH80125	141.30±0.25	9.52+1.14
PIPSCH80150	168.28±0.28	10.97+1.32
PIPSCH80200	219.08±0.38	12.70+1.52

SCH80 PIPES & FITTINGS

UPVC SCH80 EQUAL SOCKET
Colour- Dark Grey

COMPLY WITH ASTM D2467



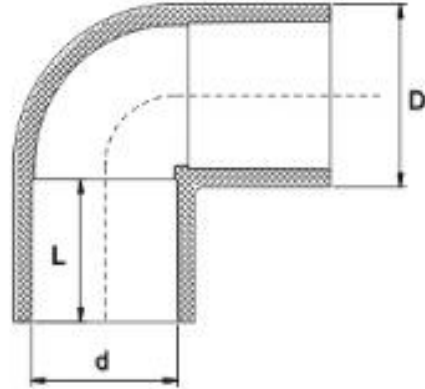
DIMENSIONS

SKU	D (mm)	d (mm)	H (mm)	L (mm)
SCH80ES015	29.30	21.34	48.80	22.70
SCH80ES020	35.10	26.67	55.20	26.00
SCH80ES025	43.10	33.40	61.60	29.10
SCH80ES035	52.40	42.16	67.40	32.30
SCH80ES042	59.00	48.26	74.30	35.40
SCH80ES050	72.00	60.33	80.10	38.60
SCH80ES065	87.80	73.03	95.30	45.00
SCH80ES080	104.90	88.90	101.00	48.10
SCH80ES100	132.40	114.30	120.50	57.40
SCH80ES125	161.90	141.81	147.68	71.00
SCH80ES150	191.20	168.30	160.30	76.70
SCH80ES200	247.20	219.08	212.00	102.60
SCH80ES250	305.90	273.05	263.00	128.00
SCH80ES300	361.50	323.85	317.00	153.50

SCH80 PIPES & FITTINGS

UPVC SCH80 90DEG ELBOW
Colour- Dark Grey

COMPLY WITH ASTM D2467



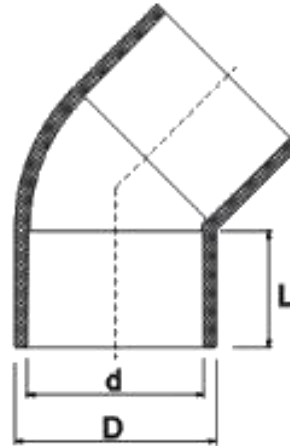
DIMENSIONS

SKU	D (mm)	d (mm)	L (mm)
SCH80E90015	29.80	21.34	22.70
SCH80E90020	35.60	26.67	25.90
SCH80E90025	43.10	33.40	29.10
SCH80E90035	52.40	42.16	32.30
SCH80E90042	59.00	48.26	35.40
SCH80E90050	72.00	60.33	38.6
SCH80E90065	87.80	73.03	45.00
SCH80E90080	104.90	88.90	48.10
SCH80E90100	132.40	114.30	56.60
SCH80E90125	161.90	141.81	67.68
SCH80E90150	190.90	168.30	76.70
SCH80E90200	247.20	219.08	102.60
SCH80E90250	305.90	273.05	128.00
SCH80E90300	361.50	323.85	153.50

SCH80 PIPES & FITTINGS

UPVC SCH80 45DEG ELBOW
Colour- Dark Grey

COMPLY WITH ASTM D2467



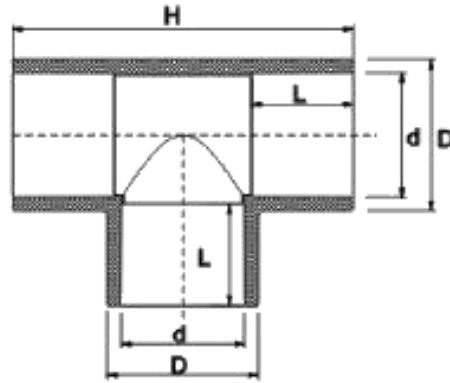
DIMENSIONS

SKU	D (mm)	d (mm)	L (mm)
SCH80E45015	29.30	21.34	22.70
SCH80E45020	35.10	26.67	25.90
SCH80E45025	43.10	33.40	29.10
SCH80E45035	52.40	42.16	32.30
SCH80E45042	59.00	48.26	35.40
SCH80E45050	72.50	60.33	38.60
SCH80E45065	87.80	73.03	45.00
SCH80E45080	104.90	88.90	48.10
SCH80E45100	132.40	114.30	57.60
SCH80E45125	161.90	141.81	67.68
SCH80E45150	191.20	168.30	76.70
SCH80E45200	247.20	216.08	102.60
SCH80E45250	305.90	273.05	128.00
SCH80E45300	361.50	323.85	153.50

SCH80 PIPES & FITTINGS

UPVC SCH80 EQUAL TEE
Colour- Dark Grey

COMPLY WITH ASTM D2467



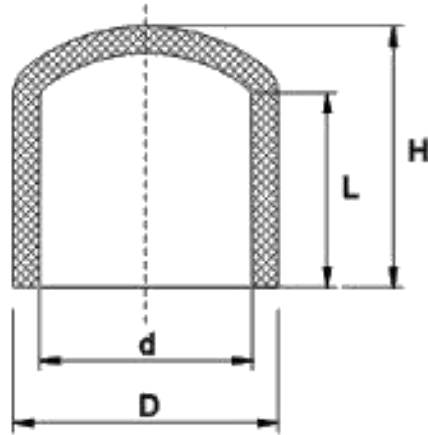
DIMENSIONS

SKU	D (mm)	d (mm)	L (mm)	H (mm)
SCH80ET015	29.30	21.34	22.40	70.80
SCH80ET020	35.40	26.67	25.90	82.40
SCH80ET025	43.10	33.40	29.10	97.60
SCH80ET035	52.40	42.16	32.30	110.90
SCH80ET042	59.00	48.26	35.40	122.70
SCH80ET050	72.00	60.33	38.60	142.70
SCH80ET065	87.80	73.03	45.00	168.20
SCH80ET080	104.90	88.90	48.10	190.20
SCH80ET100	132.40	114.30	57.60	235.60
SCH80ET125	161.60	141.81	67.68	285.60
SCH80ET150	191.20	168.30	76.70	333.20
SCH80ET200	247.20	219.08	102.60	445.00
SCH80ET250	305.90	273.05	128.00	556.00
SCH80ET300	361.50	323.85	153.50	663.00

SCH80 PIPES & FITTINGS

UPVC SCH80 END CAP
Colour- Dark Grey

COMPLY WITH ASTM D2467



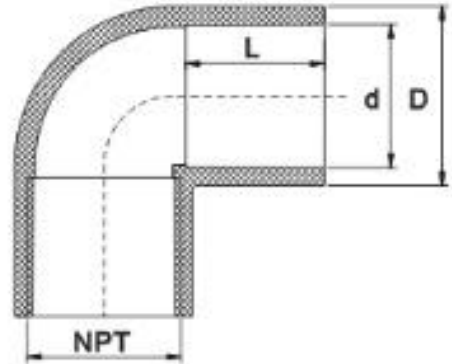
DIMENSIONS

SKU	D (mm)	d (mm)	L (mm)	H (mm)
SCH80EC015	29.30	21.34	22.70	39.70
SCH80EC020	35.10	26.67	25.90	33.90
SCH80EC025	43.10	33.40	29.10	33.80
SCH80EC035	52.40	42.16	32.30	43.00
SCH80EC042	59.00	48.26	35.40	45.80
SCH80EC050	72.00	60.33	38.60	51.80
SCH80EC065	87.58	73.38	44.95	56.85
SCH80EC080	105.00	89.31	51.61	61.50
SCH80EC100	132.00	114.76	60.95	71.80
SCH80EC125	161.80	141.81	67.68	106.50
SCH80EC150	191.00	168.83	80.50	94.50
SCH80EC200	246.70	219.08	102.50	133.90
SCH80EC250	305.90	273.80	128.00	164.30
SCH80EC300	361.50	324.60	153.50	199.30

SCH80 PIPES & FITINGS

UPVC SCH80 FI ELBOW
Colour- Dark Grey

COMPLY WITH ASTM D2467
ASTM D2464



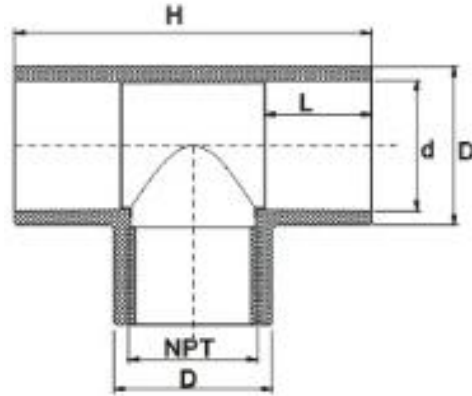
DIMENSIONS

SKU	D (mm)	d (mm)	L (mm)	NPT (inch)
SCH80FE015	32.50	21.34	22.70	1/2"
SCH80FE020	38.10	26.67	25.90	3/4"
SCH80FE025	46.00	33.40	29.10	1"
SCH80FE035	55.90	42.16	32.30	1 1/4"
SCH80FE042	63.50	48.26	35.40	1 1/2"
SCH80FE050	76.20	60.33	38.60	2"

SCH80 PIPES & FITINGS

UPVC SCH80 FI TEE
Colour- Dark Grey

COMPLY WITH ASTM D2467
ASTM D2464



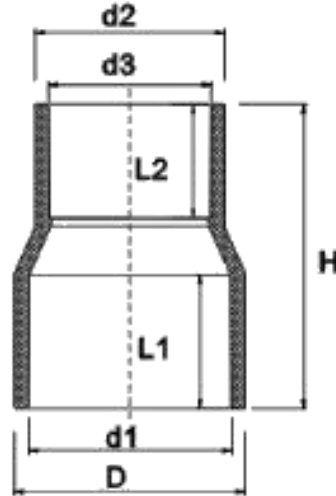
DIMENSIONS

SKU	D (mm)	d (mm)	L (mm)	H (mm)	NPT (inch)
SCH80FT015	32.50	21.34	22.70	70.80	1/2"
SCH80FT020	38.10	26.67	25.90	82.50	3/4"
SCH80FT025	46.00	33.40	29.10	97.40	1"

SCH80 PIPES & FITTINGS

UPVC SCH80 REDUCING COUPLING
Colour- Dark Grey

COMPLY WITH ASTM D2467



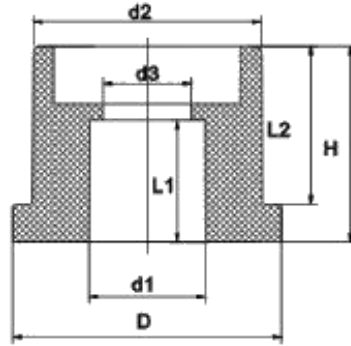
DIMENSIONS

SKU	D (mm)	d1 (mm)	d2 (mm)	d3 (mm)	H (mm)	L1 (mm)	L2 (mm)
SCH80RS02015	35.10	26.67	29.30	21.34	57.50	25.90	22.70
SCH80RS02515	43.40	33.40	29.80	21.34	63.10	29.10	22.70
SCH80RS02520	43.10	33.40	35.50	26.67	65.40	29.10	25.90
SCH80RS03515	52.40	42.16	29.30	21.34	66.40	32.30	22.70
SCH80RS03520	52.40	42.16	35.10	26.67	67.60	33.00	25.90
SCH80RS03525	52.40	42.16	43.40	33.40	72.20	35.40	28.20
SCH80RS04215	59.00	48.26	29.30	21.34	70.50	35.40	22.70
SCH80RS04220	59.00	48.26	35.50	26.67	73.70	35.40	25.90
SCH80RS04225	59.00	48.26	43.50	33.40	76.90	35.40	28.80
SCH80RS04235	59.00	48.26	52.40	42.16	80.10	35.40	32.30
SCH80RS05015	72.00	60.33	29.30	21.34	79.70	38.60	22.70
SCH80RS05020	72.00	60.33	35.10	26.67	81.40	38.60	25.90
SCH80RS05025	72.00	60.33	43.10	33.40	84.60	38.60	29.10
SCH80RS05035	72.00	60.33	52.40	42.16	87.80	38.60	32.30
SCH80RS05042	72.00	60.33	59.00	48.26	90.90	38.60	35.40

SCH80 PIPES & FITTINGS

UPVC SCH80 REDUCING RING
Colour- Dark Grey

COMPLY WITH ASTM D2467



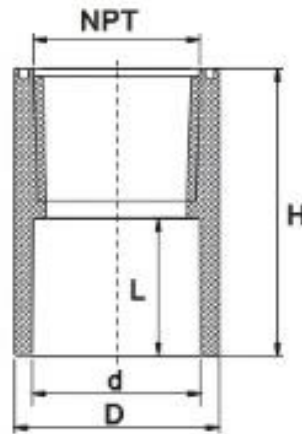
DIMENSIONS

SKU	D (mm)	d1 (mm)	d2 (mm)	d3 (mm)	H (mm)	L1 (mm)	L2 (mm)
SCH80RB02015	35.00	21.34	26.67	14.00	32.40	22.20	26.00
SCH80RB02515	43.00	21.34	33.40	14.00	35.60	22.20	29.00
SCH80RB02520	43.00	26.67	33.40	18.00	35.60	26.00	29.00
SCH80RB03515	52.40	21.34	42.16	13.50	40.00	22.70	31.50
SCH80RB03520	52.40	26.64	42.16	17.80	40.00	25.90	31.50
SCH80RB03525	52.40	33.40	42.16	24.00	40.00	29.10	31.50
SCH80RB04215	59.00	21.34	48.26	13.00	43.00	22.70	35.00
SCH80RB04220	58.50	26.67	48.26	17.30	43.00	25.90	35.00
SCH80RB04225	59.00	33.40	48.26	24.30	43.00	29.10	35.00
SCH80RB04235	59.00	42.16	48.26	31.20	43.00	32.30	35.00
SCH80RB05015	72.00	21.34	60.33	13.00	49.00	22.70	39.00
SCH80RB05020	72.00	33.40	60.33	23.50	49.00	25.90	39.00
SCH80RB05025	72.00	26.67	60.33	18.00	48.60	29.10	38.30
SCH80RB05035	72.00	42.16	60.33	32.00	49.00	32.30	39.00
SCH80RB05042	72.00	48.26	60.33	36.20	48.60	35.40	38.60
SCH80RB08042	104.90	48.26	88.90	42.00	55.10	35.50	47.10
SCH80RB08050	104.90	60.33	88.90	53.80	55.10	38.60	47.10
SCH80RB10042	132.40	48.26	114.30	42.00	65.10	35.50	56.60
SCH80RB10050	132.40	60.33	114.30	53.80	65.10	38.60	56.60
SCH80RB10080	132.40	88.90	114.30	82.00	65.10	48.10	56.60
SCH80RB150100	191.20	114.30	168.30	106.1	86.70	57.60	76.70

SCH80 PIPES & FITINGS

UPVC SCH80 FI ADAPTOR
Colour- Dark Grey

COMPLY WITH ASTM D2467
ASTM D2464



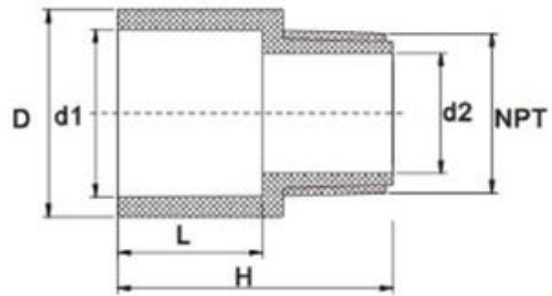
DIMENSIONS

SKU	D (mm)	d (mm)	H (mm)	L (mm)	NPT (inch)
SCH80FS015	32.50	21.34	45.70	22.70	½"
SCH80FS020	38.10	26.67	54.80	25.90	¾"
SCH80FS025	46.00	33.40	58.70	29.10	1"
SCH80FS035	55.90	42.16	64.30	32.30	1 ¼"
SCH80FS042	63.50	48.26	70.90	35.40	1 ½"
SCH80FS050	76.20	60.33	74.60	38.60	2"
SCH80FS065	87.80	73.03	92.30	45.00	2 ½"
SCH80FS080	104.90	88.90	97.90	48.10	3"
SCH80FS100	132.40	114.30	109.90	57.60	4"
SCH80FS150	191.20	168.30	135.60	76.70	6"

SCH80 PIPES & FITINGS

UPVC SCH80 MI ADAPTOR
Colour- Dark Grey

COMPLY WITH ASTM D2467
ASTM D2464



Cross Sectional View

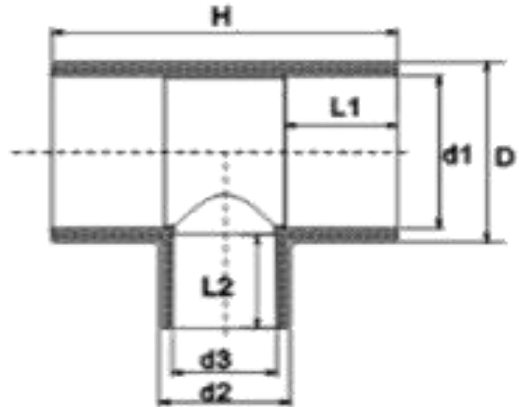
DIMENSIONS

SKU	D (mm)	d1 (mm)	d2 (mm)	NPT (inch)	H (mm)	L (mm)
SCH80VS015	30.00	21.34	9.40	½"	46.50	23.20
SCH80VS020	35.80	26.67	14.00	¾"	55.90	25.90
SCH80VS025	44.00	33.40	18.80	1"	61.00	29.10
SCH80VS035	53.00	42.16	26.80	1 ¼"	65.50	32.50
SCH80VS042	60.00	48.26	32.40	1 ½"	70.90	35.40
SCH80VS050	73.00	60.33	43.30	2"	76.70	38.60
SCH80VS065	88.20	73.03	51.00	2 ½"	93.20	44.80
SCH80VS080	104.90	88.90	66.00	3"	99.00	48.10
SCH80VS100	132.00	114.30	89.90	4"	112.00	57.00

SCH80 PIPES & FITTINGS

UPVC SCH80 REDUCING TEE
Colour- Dark Grey

COMPLY WITH ASTM D2467

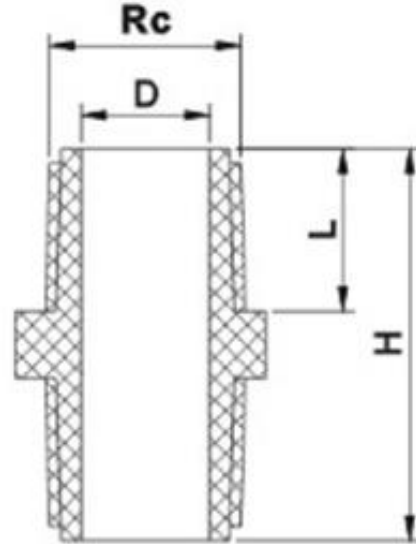


DIMENSIONS

SKU	D (mm)	d1 (mm)	d2 (mm)	d3 (mm)	H (mm)	L1 (mm)	L2 (mm)
SCH80RT02015	35.50	26.67	30.00	21.34	79.10	25.90	22.70
SCH80RT02515	43.10	33.40	29.30	21.34	80.50	29.10	22.70
SCH80RT02520	43.10	33.40	35.10	26.67	91.00	29.10	25.90
SCH80RT03515	52.40	42.16	29.30	21.34	92.20	32.30	22.70
SCH80RT03520	52.40	42.16	35.10	26.67	97.30	32.30	25.90
SCH80RT03525	52.40	42.16	43.10	33.40	105.80	32.30	29.10
SCH80RT04215	59.00	48.26	29.30	21.34	97.60	35.40	22.70
SCH80RT04220	59.00	48.26	35.10	26.67	103.70	35.40	25.90
SCH80RT04225	59.00	48.26	43.10	33.40	110.50	35.40	29.10
SCH80RT04235	59.00	48.26	52.40	42.16	118.90	35.40	32.30
SCH80RT05015	72.00	60.33	29.30	21.34	104.70	38.60	22.70
SCH80RT05020	72.00	60.33	35.10	26.67	109.70	38.60	25.90
SCH80RT05025	72.00	60.33	43.10	33.40	115.90	38.60	29.10
SCH80RT05035	72.00	60.33	52.40	42.16	124.60	38.60	32.30
SCH80RT05042	72.00	60.30	59.00	48.26	131.60	38.60	35.40
SCH80RT200100							

SCH80 PIPES & FITINGS

UPVC SCH80 NIPPLE
Colour- Dark Grey



Cross Sectional View

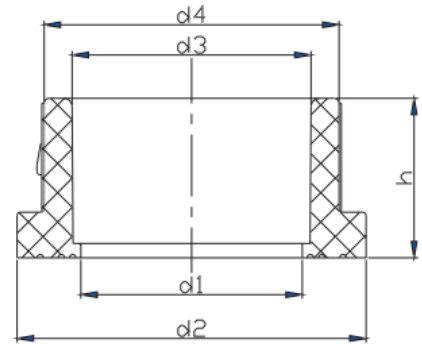
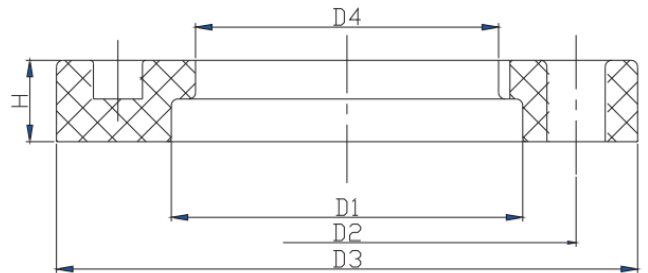
DIMENSIONS

SKU	Rc (inch)	L (mm)	H (mm)	D (mm)
SCH80EN015	½" BSPT	17.0	41.0	13.4
SCH80EN020	¾" BSPT	18.5	45.0	18.4
SCH80EN025	1" BSPT	22.6	54.2	25.2
SCH80EN035	1 ¼" BSPT	23.0	54.0	31.5
SCH80EN042	1 ½" BSPT	24.0	56.0	36.5
SCH80EN050	2" BSPT	26.0	60.5	47.5
SCH80EN065	2 ½" BSPT	30.0	69.0	64.0
SCH80EN080	3" BSPT	32.0	73.5	74.6
SCH80EN100	4" BSPT	37.5	85.0	98.8

SCH80 PIPES & FITTINGS

UPVC SCH80 VAN STONE FLANGE
Colour- Dark Grey

COMPLY WITH ASTM ANSI



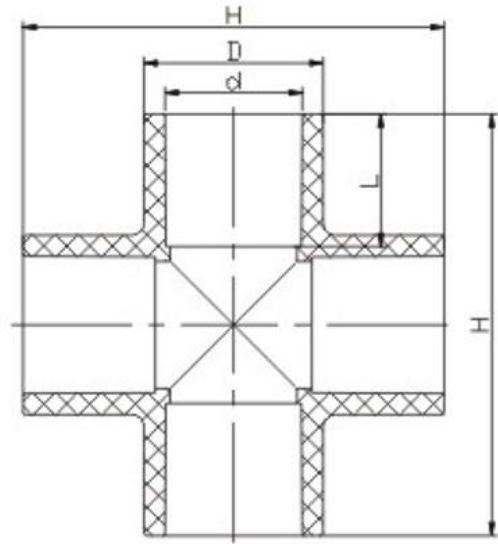
DIMENSIONS

SKU	SIZE (inch)	d1 (mm)	d2 (mm)	d3 (mm)	d4 (mm)	h (mm)	D1 (mm)	D2 (mm)	D3 (mm)	D4 (mm)	H (mm)
SCH80VSF050	2"	51.0	91.8	58.0	74.6	43.5	92.5	120.0	152.4	77.6	20.5
SCH80VSF065	2 ½"	68.0	107.2	73.4	90.6	49.0	107.6	140.0	177.6	92.6	24.8
SCH80VSF080	3"	77.2	119.9	89.4	107.0	54.9	120.6	152.5	191.4	109.4	26.4
SCH80VSF100	4"	102.4	152.5	110.4	131.8	64.8	153.0	191.0	229.7	134.0	28.5
SCH80VSF150	6"	156.0	206.0	160.5	189.2	85.0	207.5	241.0	284.0	192.5	32.0
SCH80VSF200	8"	204.2	260.0	201.0	237.0	119.0	261.0	296.0	342.2	239.0	36.2
SCH80VSF250	10"	266.3	338.0	273.8	305.9	135.0	308.0	362.0	407.0	/	34.5
SCH80VSF300	12"	316.4	394.0	324.6	361.5	162.0	363.5	432.0	484.0	/	36.5

UPVC SCH80 PIPES & FITTINGS

UPVC SCH80 CROSS
Colour- Dark Grey

COMPLY WITH ASTM D2467



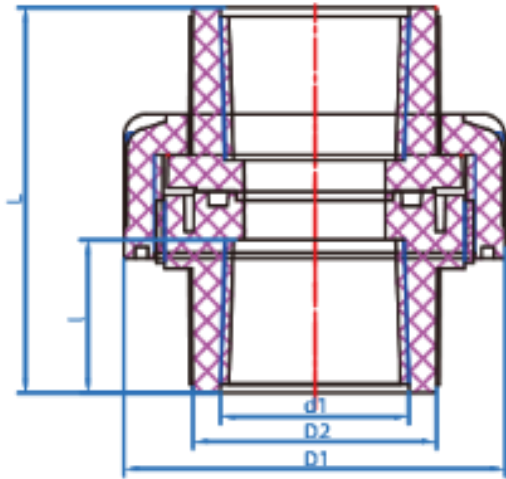
DIMENSIONS

SKU	D (mm)	d (mm)	L (mm)	H (mm)	WEIGHT (kg)	PCS/CTN
SCH80CT015	29.4	21.34	23	71.0	0.051	162
SCH80CT020	35.0	26.67	26	82.5	0.075	120
SCH80CT025	43.0	33.40	29	97.5	0.121	40
SCH80CT035	52.0	42.16	32	111.0	0.176	28
SCH80CT042	59.0	48.26	35	124.0	0.233	18
SCH80CT050	72.0	60.33	39	143.0	0.356	24

SCH80 PIPES & FITTINGS

UPVC SCH80 UNION
Colour- Dark Grey

COMPLY WITH ASTM D2467



DIMENSIONS

SKU	NPT (inch)	d1 (mm)	D2 (mm)	D1 (mm)	l (mm)	L (mm)
SCH80U015	1/2"	21.5	29.3	48.5	22.7	55.6
SCH80U020	3/4"	26.9	35.1	59.0	25.9	61.2
SCH80U025	1"	33.7	43.1	67.4	29.1	68.0
SCH80U035	1 1/4"	42.4	52.4	78.2	32.3	75.8
SCH80U042	1 1/2"	48.6	59.0	92.8	35.4	82.5
SCH80U050	2"	60.6	72.0	113.4	38.6	90.5



OFFICIAL LISTING

NSF certifies that the products appearing on this Listing conform to the requirements of
NSF/ANSI 372 - Drinking Water System Components - Lead Content

This is the Official Listing recorded on May 7, 2025.

ERA Co., Ltd. DBA ERA PIPING (ZHEJIANG) Co., Ltd.
No. 1118 Huangjiao Road
Huangyan Economic Dev Zone
Taizhou, Zhejiang
China
86 576 8429 0287

Facility: Taizhou, China

Fittings

CPAA01 CPVC Angle Valve Socket 1/2 in
CPAAT01 CPVC Angle Valve NPT 1/2 in
CPAB01 BRASS threaded FEMALE ELBOW 1"
CPAB01 BRASS threaded FEMALE ELBOW 1"x1/2"
CPAB01 BRASS threaded FEMALE ELBOW 1"x3/4"
CPAB01 BRASS threaded FEMALE ELBOW 1-1/4"
CPAB01 BRASS threaded FEMALE ELBOW 1/2"
CPAB01 BRASS threaded FEMALE ELBOW 3/4"
CPAB01 BRASS threaded FEMALE ELBOW 3/4"x1/2"
CPAB011 BRASS threaded MALE ELBOW 1"
CPAB011 BRASS threaded MALE ELBOW 1/2"
CPAB011 BRASS threaded MALE ELBOW 3/4"
CPAB02 BRASS threaded FEMALE TEE 1"x1/2"
CPAB02 BRASS threaded FEMALE TEE 1-1/4"
CPAB02 BRASS threaded FEMALE TEE 1-1/4"x1/2"
CPAB02 BRASS threaded FEMALE TEE 1/2"
CPAB02 BRASS threaded FEMALE TEE 3/4"x1/2"
CPAB021 CPVC Stop Valve II, Solvent 1/2-3/4 in
CPAB022 Boiler Drain CPVC Solvent 1/2-3/4 in
CPAB03 BRASS threaded MALE ADAPTOR 1"
CPAB03 BRASS threaded MALE ADAPTOR 1-1/2"
CPAB03 BRASS threaded MALE ADAPTOR 1-1/4"
CPAB03 BRASS threaded MALE ADAPTOR 1/2"
CPAB03 BRASS threaded MALE ADAPTOR 2"
CPAB03 BRASS threaded MALE ADAPTOR 3/4"
CPAB04 Brass threaded FEMALE ADAPTOR 1"
CPAB04 Brass threaded FEMALE ADAPTOR 1-1/2"
CPAB04 Brass threaded FEMALE ADAPTOR 1-1/4"
CPAB04 Brass threaded FEMALE ADAPTOR 1/2"
CPAB04 Brass threaded FEMALE ADAPTOR 2"
CPAB04 Brass threaded FEMALE ADAPTOR 3/4"

Note: Additions shall not be made to this document without prior evaluation and acceptance by NSF.

1 of 19



CPAB06 II BRASS MALE THREAD ADAPTOR 1"
CPAB06 II BRASS MALE THREAD ADAPTOR 1-1/2"
CPAB06 II BRASS MALE THREAD ADAPTOR 1-1/4"
CPAB06 II BRASS MALE THREAD ADAPTOR 1/2"
CPAB06 II BRASS MALE THREAD ADAPTOR 2"
CPAB06 II BRASS MALE THREAD ADAPTOR 3/4"
CPAB07 II BRASS FEMALE THREAD ADAPTOR 1"
CPAB07 II BRASS FEMALE THREAD ADAPTOR 1"x3/4"
CPAB07 II BRASS FEMALE THREAD ADAPTOR 1-1/2"
CPAB07 II BRASS FEMALE THREAD ADAPTOR 1-1/4"
CPAB07 II BRASS FEMALE THREAD ADAPTOR 1/2"
CPAB07 II BRASS FEMALE THREAD ADAPTOR 2"
CPAB07 II BRASS FEMALE THREAD ADAPTOR 3/4"
CPAB08 BRASS threaded MALE ADAPTOR 1"x1/2"
CPAB08 BRASS threaded MALE ADAPTOR 1"x3/4"
CPAB08 BRASS threaded MALE ADAPTOR 3/4"x1/2"
CPAS018 MALE AND FEMALE ELBOW CPVC 1"
CPAS018 MALE AND FEMALE ELBOW CPVC 3/4"
CPAS02 REDUCING TEE 1 x 1/2 x 1/2"
CPAS02 REDUCING TEE 1 x 3/4 x 3/4"
CPAS02 REDUCING TEE 1/2 x 1/2 x3/4"
CPAS020 45° STREET ELBOW 1"
CPAS020 45° STREET ELBOW 1/2"
CPAS020 45° STREET ELBOW 3/4"
CPAS05 TRANSITION COUPLING 1 1/2"
CPAS05 TRANSITION COUPLING 1 1/4"
CPAS05 TRANSITION COUPLING 1"
CPAS05 TRANSITION COUPLING 1/2"
CPAS05 TRANSITION COUPLING 2"
CPAS05 TRANSITION COUPLING 3/4"
CPAS10 IPS X CTS TRANSITION BUSHING 1 1/2"
CPAS10 IPS X CTS TRANSITION BUSHING 1 1/4"
CPAS10 IPS X CTS TRANSITION BUSHING 1"
CPAS10 IPS X CTS TRANSITION BUSHING 1/2"
CPAS10 IPS X CTS TRANSITION BUSHING 2"
CPAS10 IPS X CTS TRANSITION BUSHING 3/4"
CPSS01 CPVC/SS Transition Adapter Female Thread 1/2" - 2"
CPSS02 CPVC/SS Transition Adapter Male Thread 1/2" - 2"
CPSS03 CPVC/SS Transition Adapter Drop Ear Female Thread 1/2"
ERA CPA007 CPVC CTS Union Type II, Solv x Solv^[1]
ERA CPAC01 CPVC CTS Compact Ball Valve Solv x Solv^[2]
ERA CPAC02 CPVC CTS Valve Type II^[3]
ERA CPAS019 CPVC Compression Coupling^[4]
ERA CPVC 45° Elbow 1 1/2"
ERA CPVC 45° Elbow 1 1/2"
ERA CPVC 45° Elbow 1 1/4"
ERA CPVC 45° Elbow 1 1/4"

Note: Additions shall not be made to this document without prior evaluation and acceptance by NSF.



ERA CPVC 45° Elbow 1"
ERA CPVC 45° Elbow 1"
ERA CPVC 45° Elbow 1/2"
ERA CPVC 45° Elbow 1/2"
ERA CPVC 45° Elbow 10"
ERA CPVC 45° Elbow 12"
ERA CPVC 45° Elbow 2 1/2"
ERA CPVC 45° Elbow 2 1/2"
ERA CPVC 45° Elbow 2"
ERA CPVC 45° Elbow 2"
ERA CPVC 45° Elbow 3"
ERA CPVC 45° Elbow 3"
ERA CPVC 45° Elbow 3/4"
ERA CPVC 45° Elbow 3/4"
ERA CPVC 45° Elbow 4"
ERA CPVC 45° Elbow 4"
ERA CPVC 45° Elbow 5"
ERA CPVC 45° Elbow 6"
ERA CPVC 45° Elbow 8"
ERA CPVC 90° Elbow 1 1/2"
ERA CPVC 90° Elbow 1 1/2"
ERA CPVC 90° Elbow 1 1/4"
ERA CPVC 90° Elbow 1 1/4"
ERA CPVC 90° Elbow 1"
ERA CPVC 90° Elbow 1"
ERA CPVC 90° Elbow 1/2"
ERA CPVC 90° Elbow 1/2"
ERA CPVC 90° Elbow 10"
ERA CPVC 90° Elbow 12"
ERA CPVC 90° Elbow 2 1/2"
ERA CPVC 90° Elbow 2 1/2"
ERA CPVC 90° Elbow 2"
ERA CPVC 90° Elbow 2"
ERA CPVC 90° Elbow 3"
ERA CPVC 90° Elbow 3"
ERA CPVC 90° Elbow 3/4"
ERA CPVC 90° Elbow 3/4"
ERA CPVC 90° Elbow 4"
ERA CPVC 90° Elbow 4"
ERA CPVC 90° Elbow 5"
ERA CPVC 90° Elbow 6"
ERA CPVC 90° Elbow 8"
ERA CPVC 90° Elbow with Bracket 1/2"
ERA CPVC 90° Elbow with Bracket 3/4"
ERA CPVC 90° Female Thread Elbow 1 1/2"
ERA CPVC 90° Female Thread Elbow 1 1/2"
ERA CPVC 90° Female Thread Elbow 1 1/4"

Note: Additions shall not be made to this document without prior evaluation and acceptance by NSF.



ERA CPVC 90° Female Thread Elbow 1 1/4"
ERA CPVC 90° Female Thread Elbow 1"
ERA CPVC 90° Female Thread Elbow 1"
ERA CPVC 90° Female Thread Elbow 1/2"
ERA CPVC 90° Female Thread Elbow 1/2"
ERA CPVC 90° Female Thread Elbow 2"
ERA CPVC 90° Female Thread Elbow 2"
ERA CPVC 90° Female Thread Elbow 3/4"
ERA CPVC 90° Female Thread Elbow 3/4"
ERA CPVC Coupling 1 1/2"
ERA CPVC Coupling 1 1/2"
ERA CPVC Coupling 1 1/4"
ERA CPVC Coupling 1 1/4"
ERA CPVC Coupling 1"
ERA CPVC Coupling 1"
ERA CPVC Coupling 1/2"
ERA CPVC Coupling 1/2"
ERA CPVC Coupling 10"
ERA CPVC Coupling 12"
ERA CPVC Coupling 2 1/2"
ERA CPVC Coupling 2 1/2"
ERA CPVC Coupling 2"
ERA CPVC Coupling 2"
ERA CPVC Coupling 3"
ERA CPVC Coupling 3"
ERA CPVC Coupling 3/4"
ERA CPVC Coupling 3/4"
ERA CPVC Coupling 4"
ERA CPVC Coupling 4"
ERA CPVC Coupling 5"
ERA CPVC Coupling 6"
ERA CPVC Coupling 8"
ERA CPVC CPS004 REDUCING COUPLING 1"x1/2"
ERA CPVC CPS004 REDUCING COUPLING 1"x3/4"
ERA CPVC CPS004 REDUCING COUPLING 1-1/2"x1"
ERA CPVC CPS004 REDUCING COUPLING 1-1/2"x1-1/4"
ERA CPVC CPS004 REDUCING COUPLING 1-1/2"x1/2"
ERA CPVC CPS004 REDUCING COUPLING 1-1/2"x3/4"
ERA CPVC CPS004 REDUCING COUPLING 1-1/4"x1"
ERA CPVC CPS004 REDUCING COUPLING 1-1/4"x1/2"
ERA CPVC CPS004 REDUCING COUPLING 1-1/4"x3/4"
ERA CPVC CPS004 REDUCING COUPLING 2"x1"
ERA CPVC CPS004 REDUCING COUPLING 2"x1-1/2"
ERA CPVC CPS004 REDUCING COUPLING 2"x1-1/4"
ERA CPVC CPS004 REDUCING COUPLING 2"x1/2"
ERA CPVC CPS004 REDUCING COUPLING 2"x3/4"
ERA CPVC CPS004 REDUCING COUPLING 3/4"x1/2"

Note: Additions shall not be made to this document without prior evaluation and acceptance by NSF.



ERA CPVC CPSII001 45° Elbow 2-1/2"
ERA CPVC CPSII001 45° Elbow 3"
ERA CPVC CPSII001 45° Elbow 4"
ERA CPVC CPSII002 90° Elbow 2-1/2"
ERA CPVC CPSII002 90° Elbow 3"
ERA CPVC CPSII002 90° Elbow 4"
ERA CPVC CPSII003 COUPLING 2-1/2"
ERA CPVC CPSII003 COUPLING 3"
ERA CPVC CPSII003 COUPLING 4"
ERA CPVC CPSII004 REDUCING COUPLING 2-1/2"x1-1/2"
ERA CPVC CPSII004 REDUCING COUPLING 2-1/2"x2"
ERA CPVC CPSII004 REDUCING COUPLING 3"x2"
ERA CPVC CPSII004 REDUCING COUPLING 4"x2-1/2"
ERA CPVC CPSII004 REDUCING COUPLING 4"x3"
ERA CPVC CPSII005 STRAIGHT TEE 2-1/2"
ERA CPVC CPSII005 STRAIGHT TEE 3"
ERA CPVC CPSII005 STRAIGHT TEE 4"
ERA CPVC CPSII011 END PLUG 2-1/2"
ERA CPVC CPSII011 END PLUG 3"
ERA CPVC CPSII011 END PLUG 4"
ERA CPVC Cross 1 1/2"
ERA CPVC Cross 1 1/4"
ERA CPVC Cross 1"
ERA CPVC Cross 1"
ERA CPVC Cross 1-1/2"
ERA CPVC Cross 1-1/4"
ERA CPVC Cross 1/2"
ERA CPVC Cross 1/2"
ERA CPVC Cross 2"
ERA CPVC Cross 2"
ERA CPVC Cross 3/4"
ERA CPVC Cross 3/4"
ERA CPVC Cross 4"
ERA CPVC Cross 5"
ERA CPVC Cross 6"
ERA CPVC End Cap 1 1/2"
ERA CPVC End Cap 1 1/4"
ERA CPVC End Cap 1"
ERA CPVC End Cap 1/2"
ERA CPVC End Cap 2"
ERA CPVC End Cap 3/4"
ERA CPVC End Plug 1 1/2"
ERA CPVC End Plug 1 1/2"
ERA CPVC End Plug 1 1/4"
ERA CPVC End Plug 1 1/4"
ERA CPVC End Plug 1"
ERA CPVC End Plug 1"

Note: Additions shall not be made to this document without prior evaluation and acceptance by NSF.



ERA CPVC End Plug 1/2"
ERA CPVC End Plug 1/2"
ERA CPVC End Plug 10"
ERA CPVC End Plug 12"
ERA CPVC End Plug 2"
ERA CPVC End Plug 2"
ERA CPVC End Plug 3"
ERA CPVC End Plug 3"
ERA CPVC End Plug 3/4"
ERA CPVC End Plug 3/4"
ERA CPVC End Plug 4"
ERA CPVC End Plug 4"
ERA CPVC End Plug 5"
ERA CPVC End Plug 6"
ERA CPVC End Plug 8"
ERA CPVC Female Adaptor 1 1/2"
ERA CPVC Female Adaptor 1 1/2"
ERA CPVC Female Adaptor 1 1/4"
ERA CPVC Female Adaptor 1 1/4"
ERA CPVC Female Adaptor 1"
ERA CPVC Female Adaptor 1"
ERA CPVC Female Adaptor 1/2"
ERA CPVC Female Adaptor 1/2"
ERA CPVC Female Adaptor 2 1/2"
ERA CPVC Female Adaptor 2 1/2"
ERA CPVC Female Adaptor 2"
ERA CPVC Female Adaptor 2"
ERA CPVC Female Adaptor 3"
ERA CPVC Female Adaptor 3"
ERA CPVC Female Adaptor 3/4"
ERA CPVC Female Adaptor 3/4"
ERA CPVC Female Adaptor 4"
ERA CPVC Female Adaptor 4"
ERA CPVC Female Elbow with Bracket 1/2"
ERA CPVC Female Thread Tee 1"
ERA CPVC Female Thread Tee 1"
ERA CPVC Female Thread Tee 1/2"
ERA CPVC Female Thread Tee 1/2"
ERA CPVC Female Thread Tee 3/4"
ERA CPVC Female Thread Tee 3/4"
ERA CPVC Male Adaptor 1 1/2"
ERA CPVC Male Adaptor 1 1/2"
ERA CPVC Male Adaptor 1 1/4"
ERA CPVC Male Adaptor 1 1/4"
ERA CPVC Male Adaptor 1"
ERA CPVC Male Adaptor 1"
ERA CPVC Male Adaptor 1/2"

Note: Additions shall not be made to this document without prior evaluation and acceptance by NSF.



ERA CPVC Male Adaptor 1/2"
ERA CPVC Male Adaptor 1/4"
ERA CPVC Male Adaptor 2 1/2"
ERA CPVC Male Adaptor 2 1/2"
ERA CPVC Male Adaptor 2"
ERA CPVC Male Adaptor 2"
ERA CPVC Male Adaptor 3"
ERA CPVC Male Adaptor 3/4"
ERA CPVC Male Adaptor 3/4"
ERA CPVC Male Adaptor 4"
ERA CPVC Plug 1"
ERA CPVC Plug 1/2"
ERA CPVC Plug 3/4"
ERA CPVC Reducing Bush 1 1/2"x 1 1/4"
ERA CPVC Reducing Bush 1 1/2"x 1"
ERA CPVC Reducing Bush 1 1/2"x 1/2"
ERA CPVC Reducing Bush 1 1/2"x 3/4"
ERA CPVC Reducing Bush 1 1/4"x 1"
ERA CPVC Reducing Bush 1 1/4"x 1/2"
ERA CPVC Reducing Bush 1 1/4"x 3/4"
ERA CPVC Reducing Bush 1"x 1/2"
ERA CPVC Reducing Bush 1"x 3/4"
ERA CPVC Reducing Bush 2"x 1 1/2"
ERA CPVC Reducing Bush 2"x 1 1/4"
ERA CPVC Reducing Bush 2"x 1"
ERA CPVC Reducing Bush 2"x 1/2"
ERA CPVC Reducing Bush 2"x 3/4"
ERA CPVC Reducing Bush 3/4"x 1/2"
ERA CPVC Reducing Elbow 3/4"x 1/2"
ERA CPVC Reducing Male Adaptor 3/4"x 1/2"
ERA CPVC Reducing Ring 1 1/2"x 1 1/4"
ERA CPVC Reducing Ring 1 1/2"x 1 1/4"
ERA CPVC Reducing Ring 1 1/2"x 1"
ERA CPVC Reducing Ring 1 1/2"x 1"
ERA CPVC Reducing Ring 1 1/2"x 1/2"
ERA CPVC Reducing Ring 1 1/2"x 1/2"
ERA CPVC Reducing Ring 1 1/2"x 3/4"
ERA CPVC Reducing Ring 1 1/2"x 3/4"
ERA CPVC Reducing Ring 1 1/4"x 1"
ERA CPVC Reducing Ring 1 1/4"x 1"
ERA CPVC Reducing Ring 1 1/4"x 1/2"
ERA CPVC Reducing Ring 1 1/4"x 1/2"
ERA CPVC Reducing Ring 1 1/4"x 3/4"
ERA CPVC Reducing Ring 1 1/4"x 3/4"
ERA CPVC Reducing Ring 1"x 1/2"
ERA CPVC Reducing Ring 1"x 1/2"
ERA CPVC Reducing Ring 1"x 3/4"

Note: Additions shall not be made to this document without prior evaluation and acceptance by NSF.



ERA CPVC Reducing Ring 1"x 3/4"
ERA CPVC Reducing Ring 10"x3"
ERA CPVC Reducing Ring 10"x4"
ERA CPVC Reducing Ring 10"x6"
ERA CPVC Reducing Ring 10"x8"
ERA CPVC Reducing Ring 12"x10"
ERA CPVC Reducing Ring 12"x4"
ERA CPVC Reducing Ring 12"x6"
ERA CPVC Reducing Ring 12"x8"
ERA CPVC Reducing Ring 2"x 1 1/2"
ERA CPVC Reducing Ring 2"x 1 1/2"
ERA CPVC Reducing Ring 2"x 1 1/4"
ERA CPVC Reducing Ring 2"x 1 1/4"
ERA CPVC Reducing Ring 2"x 1"
ERA CPVC Reducing Ring 2"x 1"
ERA CPVC Reducing Ring 2"x 1/2"
ERA CPVC Reducing Ring 2"x 1/2"
ERA CPVC Reducing Ring 2"x 3/4"
ERA CPVC Reducing Ring 2"x 3/4"
ERA CPVC Reducing Ring 3"x 1 1/2"
ERA CPVC Reducing Ring 3"x 1 1/2"
ERA CPVC Reducing Ring 3"x 2"
ERA CPVC Reducing Ring 3"x 2"
ERA CPVC Reducing Ring 3"x2"-1/2"
ERA CPVC Reducing Ring 3/4"x 1/2"
ERA CPVC Reducing Ring 3/4"x 1/2"
ERA CPVC Reducing Ring 4"x 1/2"
ERA CPVC Reducing Ring 4"x 1 1/2"
ERA CPVC Reducing Ring 4"x 2"
ERA CPVC Reducing Ring 4"x 2"
ERA CPVC Reducing Ring 4"x 3"
ERA CPVC Reducing Ring 4"x 3"
ERA CPVC Reducing Ring 5"x4"
ERA CPVC Reducing Ring 6"x3"
ERA CPVC Reducing Ring 6"x4"
ERA CPVC Reducing Ring 6"x5"
ERA CPVC Reducing Ring 8"x4"
ERA CPVC Reducing Ring 8"x6"
ERA CPVC Reducing Socket 1 1/2"x 1 1/4"
ERA CPVC Reducing Socket 1 1/2"x 1"
ERA CPVC Reducing Socket 1 1/2"x 1/2"
ERA CPVC Reducing Socket 1 1/2"x 3/4"
ERA CPVC Reducing Socket 1 1/4"x 1"
ERA CPVC Reducing Socket 1 1/4"x 1/2"
ERA CPVC Reducing Socket 1 1/4"x 3/4"
ERA CPVC Reducing Socket 1"x 1/2"
ERA CPVC Reducing Socket 1"x 3/4"

Note: Additions shall not be made to this document without prior evaluation and acceptance by NSF.



ERA CPVC Reducing Socket 2"x 1 1/2"
ERA CPVC Reducing Socket 2"x 1 1/4"
ERA CPVC Reducing Socket 2"x 1"
ERA CPVC Reducing Socket 2"x 3/4"
ERA CPVC Reducing Socket 3/4"x 1/2"
ERA CPVC Reducing Tee 1 1/2"x 1 1/4"
ERA CPVC Reducing Tee 1 1/2"x 1 1/4"
ERA CPVC Reducing Tee 1 1/2"x 1"
ERA CPVC Reducing Tee 1 1/2"x 1"
ERA CPVC Reducing Tee 1 1/2"x 1/2"
ERA CPVC Reducing Tee 1 1/2"x 1/2"
ERA CPVC Reducing Tee 1 1/2"x 3/4"
ERA CPVC Reducing Tee 1 1/2"x 3/4"
ERA CPVC Reducing Tee 1 1/4"x 1"
ERA CPVC Reducing Tee 1 1/4"x 1"
ERA CPVC Reducing Tee 1 1/4"x 1/2"
ERA CPVC Reducing Tee 1 1/4"x 1/2"
ERA CPVC Reducing Tee 1 1/4"x 3/4"
ERA CPVC Reducing Tee 1 1/4"x 3/4"
ERA CPVC Reducing Tee 1"x 1/2"
ERA CPVC Reducing Tee 1"x 1/2"
ERA CPVC Reducing Tee 1"x 1/2"
ERA CPVC Reducing Tee 1"x 3/4"
ERA CPVC Reducing Tee 1"x 3/4"
ERA CPVC Reducing Tee 10"x6"
ERA CPVC Reducing Tee 10"x8"
ERA CPVC Reducing Tee 12"x10"
ERA CPVC Reducing Tee 12"x8"
ERA CPVC Reducing Tee 2"x 1 1/2"
ERA CPVC Reducing Tee 2"x 1 1/4"
ERA CPVC Reducing Tee 2"x 1 1/4"
ERA CPVC Reducing Tee 2"x 1"
ERA CPVC Reducing Tee 2"x 1"
ERA CPVC Reducing Tee 2"x 1/2"
ERA CPVC Reducing Tee 2"x 1/2"
ERA CPVC Reducing Tee 2"x 3/4"
ERA CPVC Reducing Tee 2"x 3/4"
ERA CPVC Reducing Tee 3/4"x 1/2"
ERA CPVC Reducing Tee 3/4"x 1/2"
ERA CPVC Reducing Tee 4"x2-1/2"
ERA CPVC Reducing Tee 4"x3"
ERA CPVC Reducing Tee 5"x2"
ERA CPVC Reducing Tee 6"x2"
ERA CPVC Reducing Tee 6"x4"
ERA CPVC Reducing Tee 8"x4"
ERA CPVC Reducing Tee 8"x6"
ERA CPVC Socket 1 1/2"

Note: Additions shall not be made to this document without prior evaluation and acceptance by NSF.



ERA CPVC Socket 1 1/4"
ERA CPVC Socket 1"
ERA CPVC Socket 1/2"
ERA CPVC Socket 1/2" light
ERA CPVC Socket 2"
ERA CPVC Socket 3/4"
ERA CPVC Step Over Bend 1"
ERA CPVC Step Over Bend 1/2"
ERA CPVC Step Over Bend 3/4"
ERA CPVC Straight Tee 1 1/2"
ERA CPVC Straight Tee 1 1/4"
ERA CPVC Straight Tee 1"
ERA CPVC Straight Tee 1/2"
ERA CPVC Straight Tee 10"
ERA CPVC Straight Tee 12"
ERA CPVC Straight Tee 2 1/2"
ERA CPVC Straight Tee 2"
ERA CPVC Straight Tee 3"
ERA CPVC Straight Tee 3/4"
ERA CPVC Straight Tee 4"
ERA CPVC Straight Tee 5"
ERA CPVC Straight Tee 6"
ERA CPVC Straight Tee 8"
ERA CPVC Straight Tee Union 1 1/2"
ERA CPVC Straight Tee Union 1 1/4"
ERA CPVC Straight Tee Union 1"
ERA CPVC Straight Tee Union 1/2"
ERA CPVC Straight Tee Union 2 1/2"
ERA CPVC Straight Tee Union 2"
ERA CPVC Straight Tee Union 3"
ERA CPVC Straight Tee Union 3/4"
ERA CPVC Straight Tee Union 4"
ERA CPVC Union 1 1/2"
ERA CPVC Union 1 1/4"
ERA CPVC Union 1"
ERA CPVC Union 1/2"
ERA CPVC Union 2 1/2"
ERA CPVC Union 2"
ERA CPVC Union 3"
ERA CPVC Union 3/4"
ERA CPVC Union 4"
ERA Pipe 1/2" - 2" SDR 11
ERA PVC Compact Ball Valve, Heavy Type 1 1/2" (UCB0105)
ERA PVC Compact Ball Valve, Heavy Type 1 1/4" (UCB0104)
ERA PVC Compact Ball Valve, Heavy Type 1" (UCB0103)
ERA PVC Compact Ball Valve, Heavy Type 1/2" (UCB0101)
ERA PVC Compact Ball Valve, Heavy Type 2 1/2" (UCB0107)

Note: Additions shall not be made to this document without prior evaluation and acceptance by NSF.



ERA PVC Compact Ball Valve, Heavy Type 2" (UCB0106)
ERA PVC Compact Ball Valve, Heavy Type 3 1/2" (UCB0109)
ERA PVC Compact Ball Valve, Heavy Type 3" (UCB0108)
ERA PVC Compact Ball Valve, Heavy Type 3/4" (UCB0102)
ERA PVC Compact Ball Valve, Heavy Type 4" (UCB0110)
ERA PVC Compact Ball Valve, Heavy Type 5" (UCB0111)
ERA PVC Compact Ball Valve, Heavy Type 6" (UCB0112)
ERA PVC Compact Ball Valve, Light Type 1 1/2" (UCB01L05)
ERA PVC Compact Ball Valve, Light Type 1 1/4" (UCB01L04)
ERA PVC Compact Ball Valve, Light Type 1" (UCB01L03)
ERA PVC Compact Ball Valve, Light Type 1/2" (UCB01L01)
ERA PVC Compact Ball Valve, Light Type 2" (UCB01L06)
ERA PVC Compact Ball Valve, Light Type 3/4" (UCB01L02)
ERA PVC Compression Coupling 1 1/2" (UCC0105)
ERA PVC Compression Coupling 1 1/4" (UCC0104)
ERA PVC Compression Coupling 1" (UCC0103)
ERA PVC Compression Coupling 1/2" (UCC0101)
ERA PVC Compression Coupling 2 1/2" (UCC0107)
ERA PVC Compression Coupling 2" (UCC0106)
ERA PVC Compression Coupling 3 1/2" (UCC0109)
ERA PVC Compression Coupling 3" (UCC0108)
ERA PVC Compression Coupling 3/4" (UCC0102)
ERA PVC Compression Coupling 4" (UCC0110)
ERA PVC I-Gl 45° Elbow 1 1/2"
ERA PVC I-Gl 45° Elbow 1 1/4"
ERA PVC I-Gl 45° Elbow 1"
ERA PVC I-Gl 45° Elbow 1/2"
ERA PVC I-Gl 45° Elbow 10"
ERA PVC I-Gl 45° Elbow 12"
ERA PVC I-Gl 45° Elbow 2 1/2"
ERA PVC I-Gl 45° Elbow 2"
ERA PVC I-Gl 45° Elbow 3"
ERA PVC I-Gl 45° Elbow 3/4"
ERA PVC I-Gl 45° Elbow 4"
ERA PVC I-Gl 45° Elbow 5"
ERA PVC I-Gl 45° Elbow 6"
ERA PVC I-Gl 45° Elbow 8"
ERA PVC I-Gl 90° Elbow 1 1/2"
ERA PVC I-Gl 90° Elbow 1 1/4"
ERA PVC I-Gl 90° Elbow 1"
ERA PVC I-Gl 90° Elbow 1/2"
ERA PVC I-Gl 90° Elbow 10"
ERA PVC I-Gl 90° Elbow 12"
ERA PVC I-Gl 90° Elbow 2 1/2"
ERA PVC I-Gl 90° Elbow 2"
ERA PVC I-Gl 90° Elbow 3"
ERA PVC I-Gl 90° Elbow 3/4"

Note: Additions shall not be made to this document without prior evaluation and acceptance by NSF.



ERA PVC I-G1 90° Elbow 4"
ERA PVC I-G1 90° Elbow 5"
ERA PVC I-G1 90° Elbow 6"
ERA PVC I-G1 90° Elbow 8"
ERA PVC I-G1 90° Female Thread Elbow 1 1/2"
ERA PVC I-G1 90° Female Thread Elbow 1 1/4"
ERA PVC I-G1 90° Female Thread Elbow 1"
ERA PVC I-G1 90° Female Thread Elbow 1/2"
ERA PVC I-G1 90° Female Thread Elbow 2"
ERA PVC I-G1 90° Female Thread Elbow 3/4"
ERA PVC I-G1 Coupling 1 1/2"
ERA PVC I-G1 Coupling 1 1/4"
ERA PVC I-G1 Coupling 1"
ERA PVC I-G1 Coupling 1/2"
ERA PVC I-G1 Coupling 10"
ERA PVC I-G1 Coupling 12"
ERA PVC I-G1 Coupling 2 1/2"
ERA PVC I-G1 Coupling 2"
ERA PVC I-G1 Coupling 3"
ERA PVC I-G1 Coupling 3/4"
ERA PVC I-G1 Coupling 4"
ERA PVC I-G1 Coupling 5"
ERA PVC I-G1 Coupling 6"
ERA PVC I-G1 Coupling 8"
ERA PVC I-G1 Cross 1 1/2"
ERA PVC I-G1 Cross 1 1/4"
ERA PVC I-G1 Cross 1"
ERA PVC I-G1 Cross 1/2"
ERA PVC I-G1 Cross 2"
ERA PVC I-G1 Cross 3/4"
ERA PVC I-G1 End Plug 1 1/2"
ERA PVC I-G1 End Plug 1 1/4"
ERA PVC I-G1 End Plug 1"
ERA PVC I-G1 End Plug 1/2"
ERA PVC I-G1 End Plug 2"
ERA PVC I-G1 End Plug 3"
ERA PVC I-G1 End Plug 3/4"
ERA PVC I-G1 End Plug 4"
ERA PVC I-G1 End Plug 5"
ERA PVC I-G1 End Plug 6"
ERA PVC I-G1 End Plug 8"
ERA PVC I-G1 Female Adapter 1 1/2"
ERA PVC I-G1 Female Adapter 1 1/4"
ERA PVC I-G1 Female Adapter 1"
ERA PVC I-G1 Female Adapter 1/2"
ERA PVC I-G1 Female Adapter 10"
ERA PVC I-G1 Female Adapter 12"

Note: Additions shall not be made to this document without prior evaluation and acceptance by NSF.



ERA PVC I-G1 Female Adapter 2 1/2"
ERA PVC I-G1 Female Adapter 2"
ERA PVC I-G1 Female Adapter 3"
ERA PVC I-G1 Female Adapter 3/4"
ERA PVC I-G1 Female Adapter 4"
ERA PVC I-G1 Female Adapter 6"
ERA PVC I-G1 Female Adapter 8"
ERA PVC I-G1 Female Cap 1 1/2"
ERA PVC I-G1 Female Cap 1 1/4"
ERA PVC I-G1 Female Cap 1"
ERA PVC I-G1 Female Cap 2"
ERA PVC I-G1 Female Cap 3/4"
ERA PVC I-G1 Female Thread Elbow LONG 3/4"x1/2"
ERA PVC I-G1 Female Thread Elbow SHORT 3/4"x1/2"
ERA PVC I-G1 Female Thread Tee 1 1/2"
ERA PVC I-G1 Female Thread Tee 1 1/4"
ERA PVC I-G1 Female Thread Tee 1"
ERA PVC I-G1 Female Thread Tee 1/2"
ERA PVC I-G1 Female Thread Tee 2"
ERA PVC I-G1 Female Thread Tee 3/4"
ERA PVC I-G1 Female Thread Tee 3/4"x 1/2"
ERA PVC I-G1 Male Adapter 1 1/2"
ERA PVC I-G1 Male Adapter 1 1/4"
ERA PVC I-G1 Male Adapter 1"
ERA PVC I-G1 Male Adapter 1/2"
ERA PVC I-G1 Male Adapter 10"
ERA PVC I-G1 Male Adapter 12"
ERA PVC I-G1 Male Adapter 2 1/2"
ERA PVC I-G1 Male Adapter 2"
ERA PVC I-G1 Male Adapter 3"
ERA PVC I-G1 Male Adapter 3/4"
ERA PVC I-G1 Male Adapter 4"
ERA PVC I-G1 Male Adapter 6"
ERA PVC I-G1 Male Adapter 8"
ERA PVC I-G1 Male Thread Elbow 1/2"
ERA PVC I-G1 Reducing Coupling 1 1/2"x 1 1/4"
ERA PVC I-G1 Reducing Coupling 1 1/2"x 1"
ERA PVC I-G1 Reducing Coupling 1 1/2"x 1/2"
ERA PVC I-G1 Reducing Coupling 1 1/2"x 3/4"
ERA PVC I-G1 Reducing Coupling 1 1/4"x 1"
ERA PVC I-G1 Reducing Coupling 1 1/4"x 1/2"
ERA PVC I-G1 Reducing Coupling 1 1/4"x 3/4"
ERA PVC I-G1 Reducing Coupling 1"x 1/2"
ERA PVC I-G1 Reducing Coupling 1"x 3/4"
ERA PVC I-G1 Reducing Coupling 2"x 1 1/2"
ERA PVC I-G1 Reducing Coupling 2"x 1 1/4"
ERA PVC I-G1 Reducing Coupling 2"x 1"

Note: Additions shall not be made to this document without prior evaluation and acceptance by NSF.



ERA PVC I-G1 Reducing Coupling 2"x 1/2"
ERA PVC I-G1 Reducing Coupling 2"x 3/4"
ERA PVC I-G1 Reducing Coupling 3/4"x 1/2"
ERA PVC I-G1 Reducing Ring 1 1/2"x 1 1/4"
ERA PVC I-G1 Reducing Ring 1 1/2"x 1"
ERA PVC I-G1 Reducing Ring 1 1/2"x 1/2"
ERA PVC I-G1 Reducing Ring 1 1/2"x 3/4"
ERA PVC I-G1 Reducing Ring 1 1/4"x 1"
ERA PVC I-G1 Reducing Ring 1 1/4"x 1/2"
ERA PVC I-G1 Reducing Ring 1 1/4"x 3/4"
ERA PVC I-G1 Reducing Ring 1"x 1/2"
ERA PVC I-G1 Reducing Ring 1"x 3/4"
ERA PVC I-G1 Reducing Ring 10"x6"
ERA PVC I-G1 Reducing Ring 2"x 1 1/2"
ERA PVC I-G1 Reducing Ring 2"x 1 1/4"
ERA PVC I-G1 Reducing Ring 2"x 1"
ERA PVC I-G1 Reducing Ring 2"x 1/2"
ERA PVC I-G1 Reducing Ring 2"x 3/4"
ERA PVC I-G1 Reducing Ring 3"x 1 1/2"
ERA PVC I-G1 Reducing Ring 3"x 2"
ERA PVC I-G1 Reducing Ring 3/4"x 1/2"
ERA PVC I-G1 Reducing Ring 4"x 2"
ERA PVC I-G1 Reducing Ring 6"x 4"
ERA PVC I-G1 Reducing Ring 8"x4"
ERA PVC I-G1 Reducing Tee 1 1/2"x 1 1/4"
ERA PVC I-G1 Reducing Tee 1 1/2"x 1"
ERA PVC I-G1 Reducing Tee 1 1/2"x 1/2"
ERA PVC I-G1 Reducing Tee 1 1/2"x 3/4"
ERA PVC I-G1 Reducing Tee 1 1/4"x 1"
ERA PVC I-G1 Reducing Tee 1 1/4"x 1/2"
ERA PVC I-G1 Reducing Tee 1 1/4"x 3/4"
ERA PVC I-G1 Reducing Tee 1"x 1/2"
ERA PVC I-G1 Reducing Tee 1"x 3/4"
ERA PVC I-G1 Reducing Tee 2"x 1 1/2"
ERA PVC I-G1 Reducing Tee 2"x 1 1/4"
ERA PVC I-G1 Reducing Tee 2"x 1"
ERA PVC I-G1 Reducing Tee 2"x 1/2"
ERA PVC I-G1 Reducing Tee 2"x 3/4"
ERA PVC I-G1 Reducing Tee 3/4"x 1/2"
ERA PVC I-G1 Reducing Tee 8"x4"
ERA PVC I-G1 Straight Tee 1 1/2"
ERA PVC I-G1 Straight Tee 1 1/4"
ERA PVC I-G1 Straight Tee 1"
ERA PVC I-G1 Straight Tee 1/2"
ERA PVC I-G1 Straight Tee 10"
ERA PVC I-G1 Straight Tee 12"
ERA PVC I-G1 Straight Tee 2 1/2"

Note: Additions shall not be made to this document without prior evaluation and acceptance by NSF.



ERA PVC I-Gl Straight Tee 2"
ERA PVC I-Gl Straight Tee 3"
ERA PVC I-Gl Straight Tee 3/4"
ERA PVC I-Gl Straight Tee 4"
ERA PVC I-Gl Straight Tee 5"
ERA PVC I-Gl Straight Tee 6"
ERA PVC I-Gl Straight Tee 8"
ERA PVC I-Gl Thread Plug 1"
ERA PVC I-Gl Thread Plug 1/2"
ERA PVC I-Gl Thread Plug 3/4"
ERA PVC Male Single Union Ball Valve 1 1/2" (USU0405)
ERA PVC Male Single Union Ball Valve 1 1/4" (USU0404)
ERA PVC Male Single Union Ball Valve 1" (USU0403)
ERA PVC Male Single Union Ball Valve 1/2" (USU0401)
ERA PVC Male Single Union Ball Valve 2 1/2" (USU0407)
ERA PVC Male Single Union Ball Valve 2" (USU0406)
ERA PVC Male Single Union Ball Valve 3 1/2" (USU0409)
ERA PVC Male Single Union Ball Valve 3" (USU0408)
ERA PVC Male Single Union Ball Valve 3/4" (USU0402)
ERA PVC Male Single Union Ball Valve 4" (USU0410)
ERA PVC Single Union Ball Valve 1 1/2" (USU0105)
ERA PVC Single Union Ball Valve 1 1/4" (USU0104)
ERA PVC Single Union Ball Valve 1" (USU0103)
ERA PVC Single Union Ball Valve 1/2" (USU0101)
ERA PVC Single Union Ball Valve 2 1/2" (USU0107)
ERA PVC Single Union Ball Valve 2" (USU0106)
ERA PVC Single Union Ball Valve 3 1/2" (USU0109)
ERA PVC Single Union Ball Valve 3" (USU0108)
ERA PVC Single Union Ball Valve 3/4" (USU0102)
ERA PVC Single Union Ball Valve 4" (USU0110)
ERA PVC Single Union Spring Check Valve 1 1/2" (USU0205)
ERA PVC Single Union Spring Check Valve 1 1/4" (USU0204)
ERA PVC Single Union Spring Check Valve 1" (USU0203)
ERA PVC Single Union Spring Check Valve 1/2" (USU0201)
ERA PVC Single Union Spring Check Valve 2" (USU0206)
ERA PVC Single Union Spring Check Valve 3/4" (USU0202)
ERA PVC True Union Ball Valves 1 1/2" (UTB0305)
ERA PVC True Union Ball Valves 1 1/4" (UTB0304)
ERA PVC True Union Ball Valves 1" (UTB0303)
ERA PVC True Union Ball Valves 1/2" (UTB0301)
ERA PVC True Union Ball Valves 2 1/2" (UTB0307)
ERA PVC True Union Ball Valves 2" (UTB0306)
ERA PVC True Union Ball Valves 3" (UTB0308)
ERA PVC True Union Ball Valves 3/4" (UTB0302)
ERA PVC True Union Ball Valves 4" (UTB0309)
ERA PVC TS Flange 1" (UTF0103)
ERA PVC TS Flange 1-1/2" (UTF0105)

Note: Additions shall not be made to this document without prior evaluation and acceptance by NSF.



ERA PVC TS Flange 1-1/4" (UTF0104)
ERA PVC TS Flange 1/2" (UTF0101)
ERA PVC TS Flange 2" (UTF0106)
ERA PVC TS Flange 2-1/2" (UTF0107)
ERA PVC TS Flange 3" (UTF0108)
ERA PVC TS Flange 3-1/2" (UTF0109)
ERA PVC TS Flange 3/4" (UTF0102)
ERA PVC TS Flange 4" (UTF0110)
ERA PVC TS Flange 5" (UTF0111)
ERA PVC TS Flange 6" (UTF0112)
ERA PVC TS Flange 8" (UTF0113)
ERA PVC Union 1 1/2" (UU00105)
ERA PVC Union 1 1/4" (UU00104)
ERA PVC Union 1" (UU00103)
ERA PVC Union 1/2" (UU00101)
ERA PVC Union 2 1/2" (UU00107)
ERA PVC Union 2" (UU00106)
ERA PVC Union 3 1/2" (UU00109)
ERA PVC Union 3" (UU00108)
ERA PVC Union 3/4" (UU00102)
ERA PVC Union 4" (UU00110)
ERA PVC Van Stone Flange 10" (UVF0109)
ERA PVC Van Stone Flange 12" (UVF0110)
ERA PVC Van Stone Flange 2" (UVF0101)
ERA PVC Van Stone Flange 2-1/2" (UVF0102)
ERA PVC Van Stone Flange 3" (UVF0103)
ERA PVC Van Stone Flange 3-1/2" (UVF0104)
ERA PVC Van Stone Flange 4" (UVF0105)
ERA PVC Van Stone Flange 5" (UVF0106)
ERA PVC Van Stone Flange 6" (UVF0107)
ERA PVC Van Stone Flange 8" (UVF0108)
ERA UCC03 Adjustable Repair Coupling
ERA UCFT01 Female Compression Tee
ERA UCMA01 Male Compression Adapter
ERA UUT001 Union, IPS Thread
SOLVENT U4UT001 PVC SCH40 UNION, NPT 1/2"-2"
U4U001 PVC SCH40 UNION 1/2"-2"
UCV02 IN-LINE CHECK VALVE TYPE, SOLVENT 1/2"-2"
UCVT02 IN-LINE CHECK VALVE TYPE, THREAD 1/2"-2"
US4010 Thread Plug 1/2 - 2 in
US4C002 Coupling FIP×FIP 1/2 - 1 in
US4C003 Coupling FIP×MIP 1/2 - 3/4 in
US4EF01 Female thread elbow long 1/2×3/4 - 1×3/4 in
US4EF02 90°elbow FIP×FIP 1/2 - 3/4 in
US4F002 Bushing MIP×FIP 3/4×1/2 - 2×1-1/2 in
US4RE01 90°Reducing elbow 3/4×1/2 - 1-1/4×1 in
US4RE02 90°Straight elbow 1/2 - 2 in

Note: Additions shall not be made to this document without prior evaluation and acceptance by NSF.



US4RE03 90° Straight elbow MIP×FIP 1/2 - 1 in
US4TF01 Female tee SLIP×SLIP×FIP 3/4×1/2 - 2×1 in
US4TF02 Tee FIP×FIP×FIP 1/2 - 3/4 in
USU05 PVC SCH40 Single Union Ball Valve II, SOLVENT 1/2" - 4"
USUT05 PVC SCH40 Single Union Ball Valve II, NPT 1/2" - 4"N/A
UTB04 PVC SCH40 Double Union Ball Valve II, SOLVENT 1/2" - 4"
UTBT04 PVC SCH40 Double Union Ball Valve II, NPT 1/2" - 4"

Pipe

ERA CPVC pipe 1/2"-2"
ERA CPVC PRESSURE PIPE
ERA US4001 White SCH40 PIPE 1/2"-8"
ERA US8001 Gray SCH 80 PIPE 1/2"-8"

Valves^[G]

CPAB021 CPVC Stop Valve II, Solvent 1/2" - 3/4"^[G]
CPAB022 Boiler Drain CPVC Solvent 1/2" - 3/4"^[G]
CPAB023 CPVC STOP AND WASTE VALVE SOLVENT 1/2" - 3/4"^[G]

ERA UCBT01 Compact Ball Valve, Heavy Type, IPS Thread
ERA UCBT01 Compact Ball Valve, Light Type, IPS Thread

ERA UCV01 In-Line Check Valve, Solvent
ERA UCVT01 In-Line Check Valve, IPS Thread

ERA UFV01 Foot Valve, Without Color Box
ERA UFVT01 Foot Valve, IPS Thread

ERA USUT01 Single Union Ball Valve, IPS Thread
ERA UTBT01 True Union Ball Valve, IPS Thread

UCB02 Luxury Compact ball valve 1 1/2"

UCB02 Luxury Compact ball valve 1 1/4"

UCB02 Luxury Compact ball valve 1"

UCB02 Luxury Compact ball valve 1/2"

UCB02 Luxury Compact ball valve 2"

UCB02 Luxury Compact ball valve 3/4"

UCB04 Octangle Ball Valve 1 1/2"

UCB04 Octangle Ball Valve 1 1/4"

UCB04 Octangle Ball Valve 1"

UCB04 Octangle Ball Valve 1/2"

UCB04 Octangle Ball Valve 2"

UCB04 Octangle Ball Valve 3/4"

UCB05 TWO PCS BALL VALVE 1 1/2"

UCB05 TWO PCS BALL VALVE 1 1/4"

UCB05 TWO PCS BALL VALVE 1"

UCB05 TWO PCS BALL VALVE 1/2"

UCB05 TWO PCS BALL VALVE 2"

UCB05 TWO PCS BALL VALVE 3/4"

UCB08 Octangle Ball Valve, OCT Shape, Socket 1-1/2"

UCB08 Octangle Ball Valve, OCT Shape, Socket 1"

UCB08 Octangle Ball Valve, OCT Shape, Socket 1''

UCB08 Octangle Ball Valve, OCT Shape, Socket 1-1/2''

UCB08 Octangle Ball Valve, OCT Shape, Socket 1-1/4"

Note: Additions shall not be made to this document without prior evaluation and acceptance by NSF.



UCB08 Octangle Ball Valve, OCT Shape, Socket 1-1/4''
UCB08 Octangle Ball Valve, OCT Shape, Socket 1/2"
UCB08 Octangle Ball Valve, OCT Shape, Socket 1/2"
UCB08 Octangle Ball Valve, OCT Shape, Socket 2"
UCB08 Octangle Ball Valve, OCT Shape, Socket 2''
UCB08 Octangle Ball Valve, OCT Shape, Socket 3/4"
UCB08 Octangle Ball Valve, OCT Shape, Socket 3/4''
UCB09 PVC SCH 40 Compact Valve, Round Shape, Socket 1"
UCB09 PVC SCH 40 Compact Valve, Round Shape, Socket 1''
UCB09 PVC SCH 40 Compact Valve, Round Shape, Socket 1-1/2"
UCB09 PVC SCH 40 Compact Valve, Round Shape, Socket 1-1/2''
UCB09 PVC SCH 40 Compact Valve, Round Shape, Socket 1-1/4"
UCB09 PVC SCH 40 Compact Valve, Round Shape, Socket 1-1/4''
UCB09 PVC SCH 40 Compact Valve, Round Shape, Socket 1/2"
UCB09 PVC SCH 40 Compact Valve, Round Shape, Socket 1/2''
UCB09 PVC SCH 40 Compact Valve, Round Shape, Socket 2"
UCB09 PVC SCH 40 Compact Valve, Round Shape, Socket 2''
UCB09 PVC SCH 40 Compact Valve, Round Shape, Socket 3/4"
UCB09 PVC SCH 40 Compact Valve, Round Shape, Socket 3/4''
UCBT09 PVC SCH 40 Compact Valve, Round Shape, Thread 1"
UCBT09 PVC SCH 40 Compact Valve, Round Shape, Thread 1''
UCBT09 PVC SCH 40 Compact Valve, Round Shape, Thread 1-1/2"
UCBT09 PVC SCH 40 Compact Valve, Round Shape, Thread 1-1/2''
UCBT09 PVC SCH 40 Compact Valve, Round Shape, Thread 1-1/4"
UCBT09 PVC SCH 40 Compact Valve, Round Shape, Thread 1-1/4''
UCBT09 PVC SCH 40 Compact Valve, Round Shape, Thread 1/2"
UCBT09 PVC SCH 40 Compact Valve, Round Shape, Thread 1/2''
UCBT09 PVC SCH 40 Compact Valve, Round Shape, Thread 2"
UCBT09 PVC SCH 40 Compact Valve, Round Shape, Thread 2''
UCBT09 PVC SCH 40 Compact Valve, Round Shape, Thread 3/4"
UCBT09 PVC SCH 40 Compact Valve, Round Shape, Thread 3/4''
UTBT08 Octangle Ball Valve, OCT Shape, Thread 1"
UTBT08 Octangle Ball Valve, OCT Shape, Thread 1''
UTBT08 Octangle Ball Valve, OCT Shape, Thread 1-1/2"
UTBT08 Octangle Ball Valve, OCT Shape, Thread 1-1/2''
UTBT08 Octangle Ball Valve, OCT Shape, Thread 1-1/4"
UTBT08 Octangle Ball Valve, OCT Shape, Thread 1-1/4''
UTBT08 Octangle Ball Valve, OCT Shape, Thread 1/2"
UTBT08 Octangle Ball Valve, OCT Shape, Thread 1/2''
UTBT08 Octangle Ball Valve, OCT Shape, Thread 2"
UTBT08 Octangle Ball Valve, OCT Shape, Thread 2''
UTBT08 Octangle Ball Valve, OCT Shape, Thread 3/4"
UTBT08 Octangle Ball Valve, OCT Shape, Thread 3/4''

[1] Certified for the following configurations:

- 1/2" (CPA00701)
- 3/4" (CPA00702)
- 1" (CPA00703)
- 1-1/4" (CPA00704)

Note: Additions shall not be made to this document without prior evaluation and acceptance by NSF.



1-1/2" (CPA00705)
2" (CPA00706)

[2] Certified for the following configurations:

1/2" (CPAC0101)
3/4" (CPAC0102)
1" (CPAC0103)
1-1/4" (CPAC0104)
1-1/2" (CPAC0105)
2" (CPAC0106)

[3] Certified for the following configurations:

1/2" (CPAC0201)
3/4" (CPAC0202)
1" (CPAC0203)
1-1/4" (CPAC0204)
1-1/2" (CPAC0205)
2" (CPAC0206)

[4] Certified for the following configurations:

1/2" (CPAS01901)
3/4" (CPAS01902)
1" (CPAS01903)

[G] Product is Certified to NSF/ANSI 372 and conforms with the lead content requirements for "lead free" plumbing as defined by California, Vermont, Maryland, and Louisiana state laws and the U.S. Safe Drinking Water Act.

Note: Additions shall not be made to this document without prior evaluation and acceptance by NSF.

Built For Water



Main Office

(Kitchener Road)

133 Kitchener Road,
Singapore 208517
Official Operating Hours:
Mon – Fri : 8:00am – 5:30pm
Sat, Sun & PH: Closed

Fax: (65) 6296 7195 (Local)
Fax: (65) 6392 1280
(International)

North Office

(Admiralty Street)

North Link Building,
No.10 Admiralty Street,
#02-45,
Singapore 757695
Official Operating Hours:
Mon – Fri : 8:00am –
5:30pm
Sat, Sun & PH: Closed

Fax: (65) 6555 5710

Scan to Contact Us:

