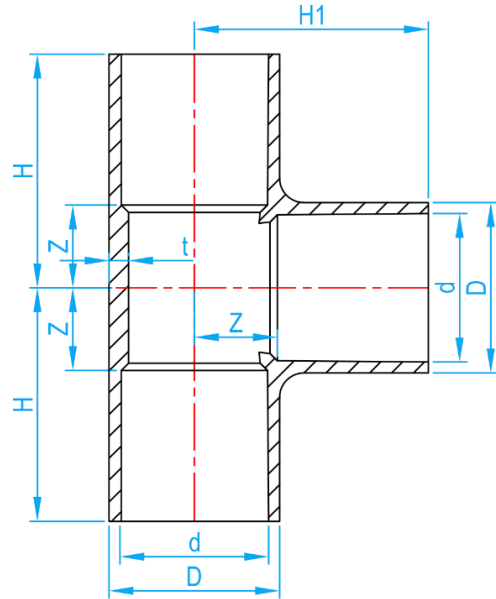
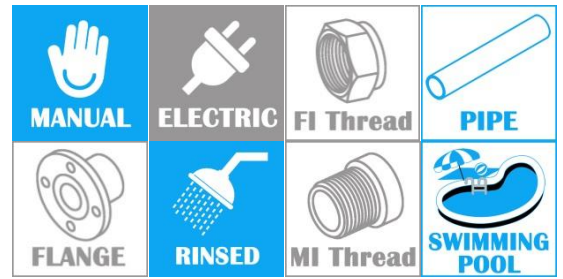


ESLON TS/AW EQUAL TEE

COMPLY WITH JIS K 6743



CROSS SECTIONAL VIEW

DIMENSIONS

| SKU | D (mm) | d (mm) | t (mm) | H (mm) | H1 (mm) | Z (mm) | WEIGHT (Kg) | PCS/CTN |
|---------|--------|-------------|--------|--------|---------|--------|-------------|---------|
| AWET013 | 24 | 18.40±0.20 | 3.0 | 36 | 36 | 10 | 0.030 | 440 |
| AWET015 | 29 | 22.40±0.20 | 3.5 | 43 | 43 | 13 | 0.050 | 240 |
| AWET020 | 33 | 26.45±0.20 | 3.5 | 50 | 50 | 15 | 0.070 | 160 |
| AWET025 | 40 | 32.55±0.25 | 4.0 | 58 | 58 | 18 | 0.119 | 80 |
| AWET035 | 46 | 38.60±0.25 | 4.0 | 65 | 65 | 21 | 0.145 | 60 |
| AWET042 | 57 | 48.70±0.30 | 4.5 | 82 | 82 | 27 | 0.276 | 30 |
| AWET050 | 70 | 60.80±0.30 | 5.0 | 96 | 96 | 33 | 0.443 | 20 |
| AWET065 | 87 | 76.60±0.30 | 6.6 | 110 | 110 | 49 | 0.769 | 14 |
| AWET080 | 102 | 89.60±0.30 | 8.0 | 120 | 120 | 56 | 1.158 | 10 |
| AWET100 | 130 | 114.70±0.30 | 10.0 | 152 | 152 | 68 | 2.254 | 4 |
| AWET125 | 157 | 140.85±0.35 | 11.0 | 187 | 187 | 83 | 3.980 | 3 |
| AWET150 | 186 | 166.00±0.40 | 13.0 | 230 | 230 | 98 | 6.365 | 2 |
| AWET200 | 243 | 217.40±0.70 | 13.0 | 267 | 267 | 122 | 8.200 | 1 |
| AWET250 | 300 | 268.60±0.70 | 14.5 | 355 | 355 | 180 | 18.800 | 1 |
| AWET300 | 356 | 319.80±0.80 | 16.0 | 410 | 375 | 225 | 30.400 | 1 |

- Notes:**
1. The tolerance for H is +5 and -1mm.
 2. The tolerance for D, D1 and t depends on the common dimensions of socket.
 3. R is more than 10mm.