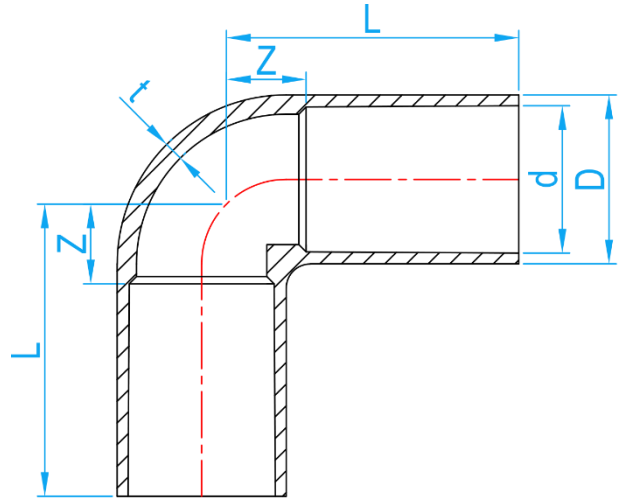
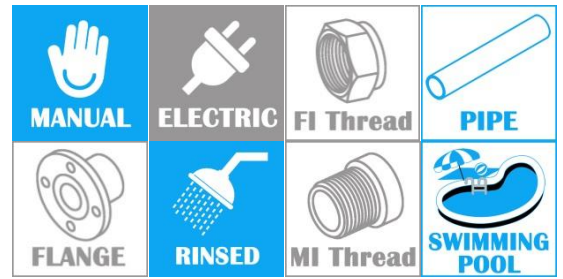


ESLON TS/AW ELBOW 90°

COMPLY WITH JIS K 6743



CROSS SECTIONAL VIEW

DIMENSIONS

SKU	DN	D (mm)	d (mm)	H (mm)	t (mm)	Z (mm)	WEIGHT (Kg)	PCS/CTN
AWE90013	13	24	18.40±0.20	36	3.0	10	0.022	680
AWE90015	15	29	22.40±0.20	43	3.5	13	0.036	400
AWE90020	20	33	26.45±0.20	50	3.5	15	0.050	240
AWE90025	25	40	32.55±0.25	58	4.0	18	0.076	140
AWE90035	35	46	38.60±0.25	65	4.0	21	0.105	100
AWE90042	42	57	48.70±0.30	82	4.5	27	0.201	60
AWE90050	50	70	60.80±0.30	96	5.0	33	0.309	30
AWE90065	65	87	76.60±0.30	110	6.6	49	0.536	20
AWE90080	80	106	89.60±0.30	120	8.0	56	0.803	15
AWE90100	100	134	114.70±0.30	155	10.0	71	1.653	7
AWE90125	125	157	140.85±0.35	187	11.0	83	2.760	5
AWE90150	150	189	166.00±0.40	230	13.0	98	4.584	3
AWE90200	200	243	217.40±0.70	261.5	13.0	116.5	6.600	3
AWE90250	250	300	268.60±0.70	317.8	14.5	142.8	10.800	2
AWE90300	300	356	319.80±0.80	355.0	16.0	170.0	15.500	1

Notes: 1. The tolerance for H is +5 and -1mm.

2. The tolerance for D and t depends on the common dimensions of socket.