

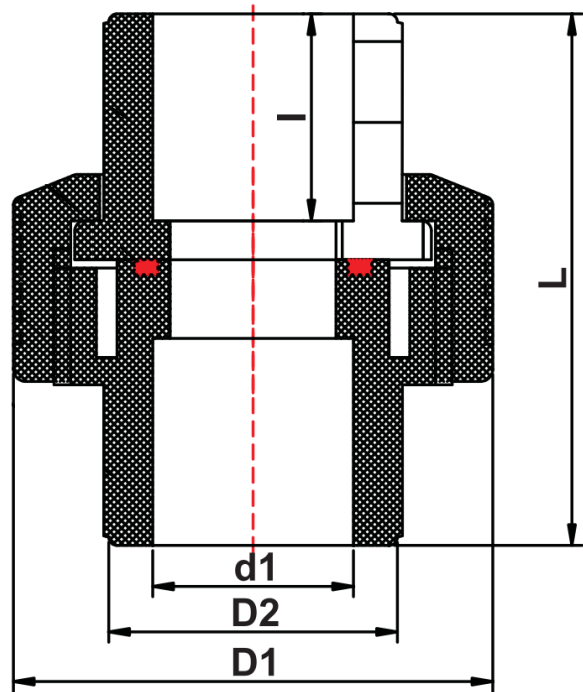
PPR PIPES & FITTINGS

PPR UNION

Colour- Green

Material – Polypropylene Random Copolymer (PPR)

COMPLY WITH ISO 15874-2, 3 & 5
SS 375



DIMENSIONS

SKU	D1 (mm)	D2 (mm)	d1 (mm)	l (mm)	L (mm)	Weight (kg)	PCS/CTN
PPRU020	47.7	28.3	19.0/20.8/21.2	22.5	58.7	0.035	150
PPRU025	57.3	34.8	24.0/25.2/25.8	24.0	64.2	0.055	100
PPRU032	68.2	42.4	30.9/32.6/33.0	27.4	71.2	0.087	60
PPRU040	82.2	52.0	38.8/40.9	31.0	86.4	0.147	72
PPRU050	98.3	61.5	46.9/48.9	34.0	90.5	0.207	45
PPRU063	120	75.8	58.5/61.7	38.6	107.0	0.371	24