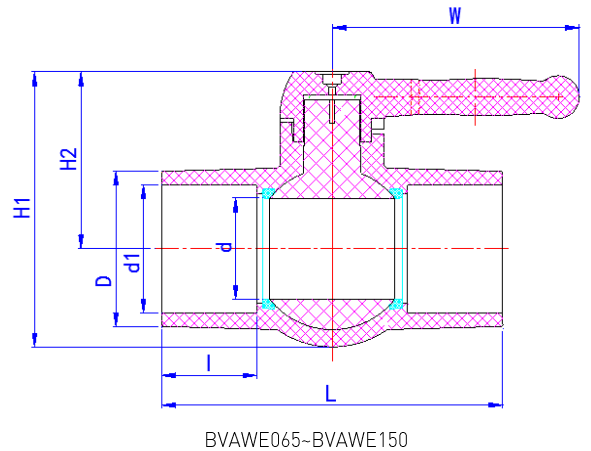
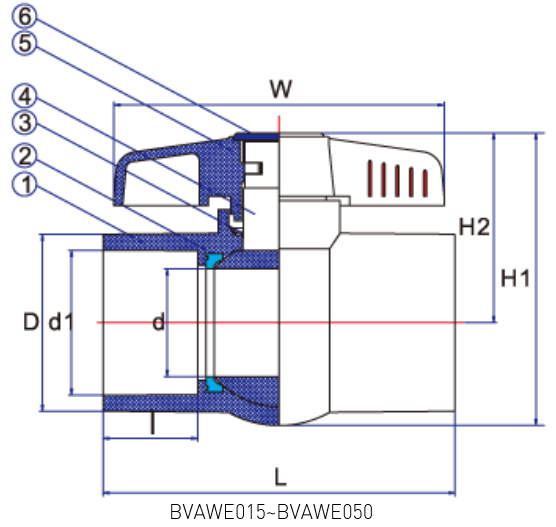


## [SOCKET END] COMPACT BALL VALVE



- END CONNECTOR: SOCKET
- WORKING PRESSURE: 150PSI



### COMPONENT PARTS

ITEM	PARTS	MATERIAL	QTY
1	Body	PVC, CPVC, PP	1
2	Seat Seal	TPE, PTEE	2
3	O-Ring	EPDM, FPM(NBR)	1
4	Ball	PVC, CPVC, PP	1
5	Handle	ABS	1
6	Cap	ABS	1

### DIMENSIONS

SKU	JIS d1(mm)	d (mm)	D (mm)	L (mm)	l (mm)	W (mm)	H1 (mm)	H2 (mm)	WEIGHT (kg)	PCS/ CTN
BVAWE015	22	14.5	32.0	80.0	22.0	68.5	64.3	44.9	0.087	162
BVAWE020	26	20.0	36.8	92.0	25.0	80.5	76.0	52.0	0.133	80
BVAWE025	32	24.0	45.0	106.0	28.0	100.0	94.0	65.0	0.229	84
BVAWE035	38	30.0	53.5	112.5	28.0	108.0	103.0	70.0	0.308	50
BVAWE042	48	34.0	62.0	129.0	33.0	108.0	112.0	73.5	0.434	50
BVAWE050	60	44.0	75.5	148.0	39.5	138.0	126.0	81.0	0.671	24
BVAWE065	76	56.0	92.5	178.5	39.5	161.9	102.4	160.0	1.324	18
BVAWE080	89	71.0	107.0	209.0	48.0	161.9	112.7	178.7	1.699	2
BVAWE100	114	86.0	134.5	294.0	78.0	216	153.5	238.5	3.936	1
BVAWE150	/	130.4	185.4	407.0	102.7	301.9	299.5	181.2	8.860	1