

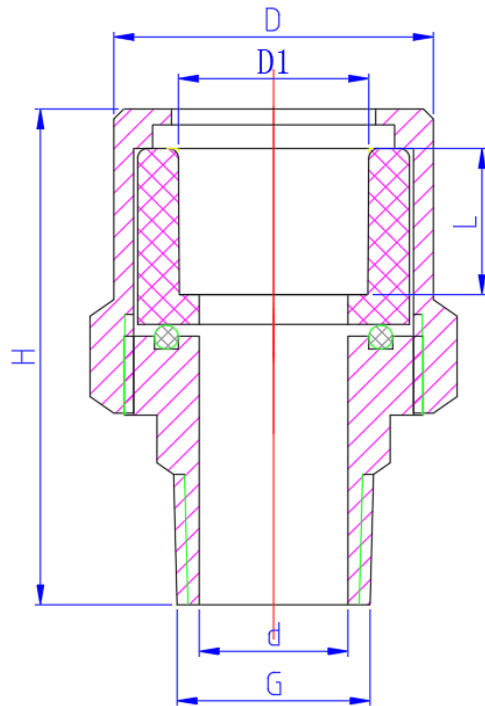
PPR PIPES & FITTINGS

PPR COMBINING JOINT

Colour- Green

Material – Polypropylene Random Copolymer (PPR)
& DZR Brass

COMPLY WITH ISO 15874-2, 3 & 5
SS 375
AS/ NZS 4020
BS EN 12165



DIMENSIONS

SKU	D (mm)	D1 (mm)	H (mm)	L (mm)	d (mm)	G (mm)	WEIGHT (kg)	PCS/CTN
PPRCJ02015	32.2	19.2	50.20	14.8	15.0	½"	0.123	125
PPRCJ02520	40.4	24.4	58.40	16.5	20.0	¾"	0.201	90
PPRCJ03225	48.6	31.2	65.85	18.1	25.1	1"	0.324	60